

Installation Instructions

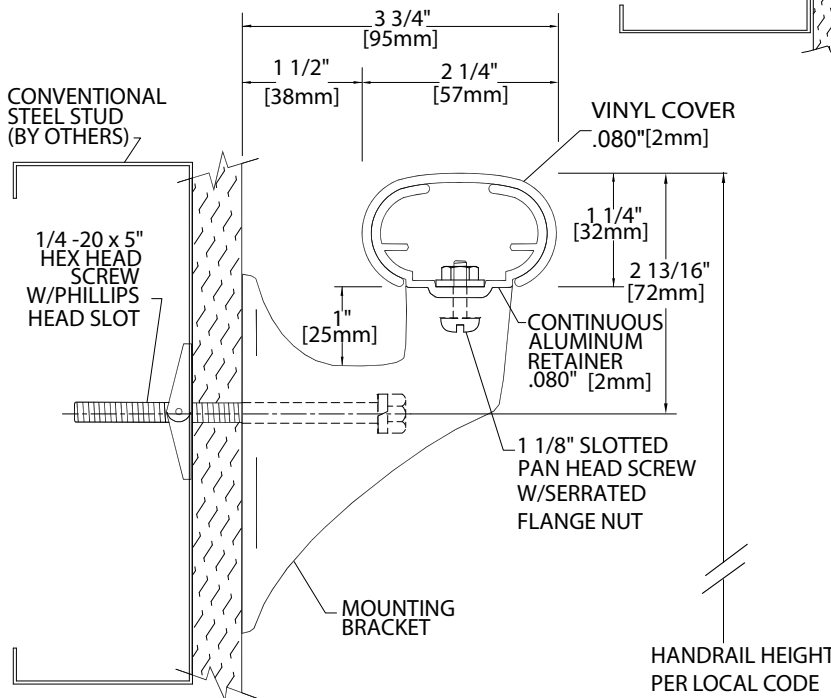
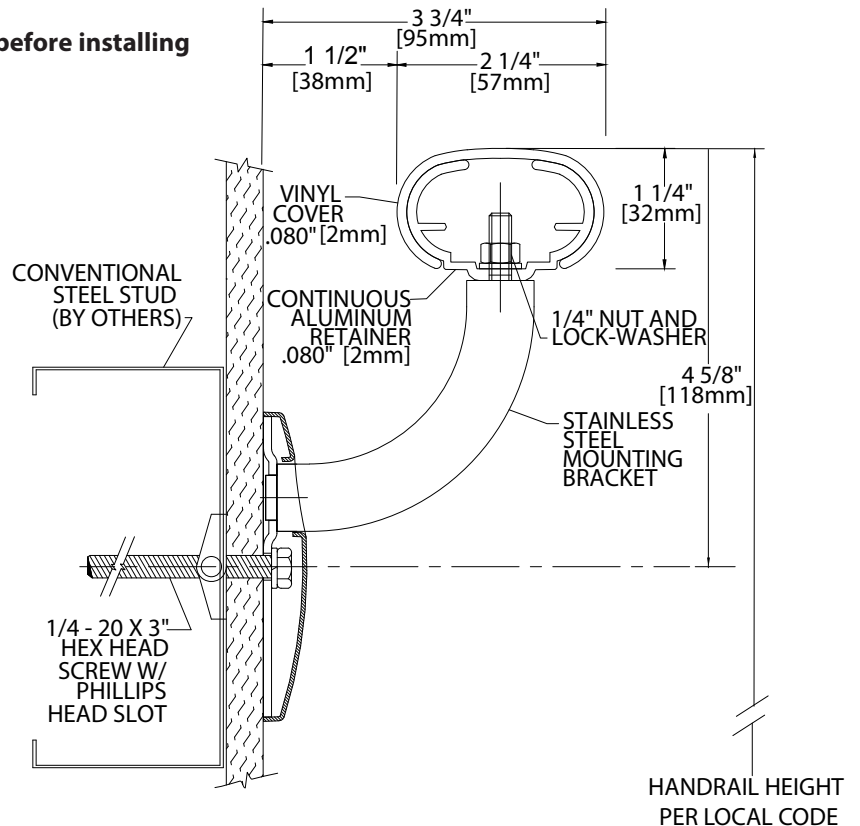
AL-84885 Handrail

Important Please read all instructions before installing handrail.

1. Acclimate materials 24 hrs before installation. Maintain temperature controlled environment after installation
2. Install in accordance with manufacturer's installation instructions. Failure to do so will void the warranty.

Installation tips

1. Cut covers up to 1/16" (1.6mm) longer to ensure a tight fit.
2. Lubricate blades when cutting aluminum to reduce burrs.



Recommended tools

SECTION VIEW

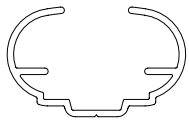
Safety Glasses, Tape Measure, 3/8" socket for machine screw hex bolt, 7/16" socket for wood screw hex bolt Level, Power Drill, Drill Bits - 1/4" masonry (concrete/concrete block), Power Miter Saw, 10" Blade with 60-80 Carbide Tipped Teeth

Installation Instructions

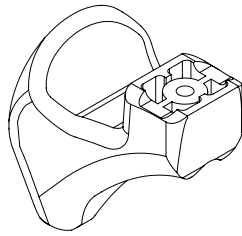
AL-84885 Handrail

Please read all instructions before installing handrail.

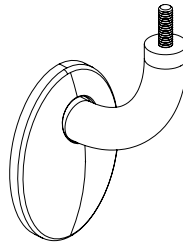
Components and fasteners



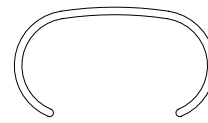
CONTINUOUS ALUMINUM RETAINER



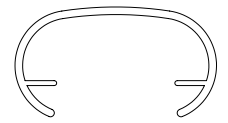
AL-84886 MOUNTING BRACKET



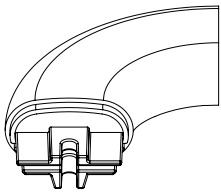
STAINLESS STEEL MOUNTING BRACKET



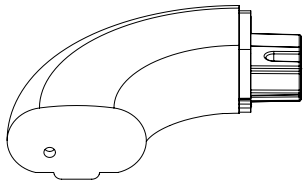
COVER



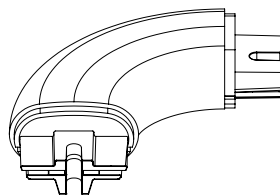
REVEAL STANDARD



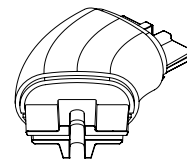
AL-84887L LEFT RETURN



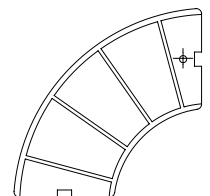
AL-84887R RIGHT RETURN



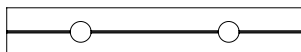
AL-84888 INSIDE/OUTSIDE CORNER



AL-84889 INSIDE/OUTSIDE CORNER



BOTTOM OF RETURN



AL-84890 SPLICE



1/4" LOCK WASHER SPRING REGULAR



1/4-20 FLANGED SCREW HEX NUT



1 1/8" SLOTTED PAN HEAD BOLT

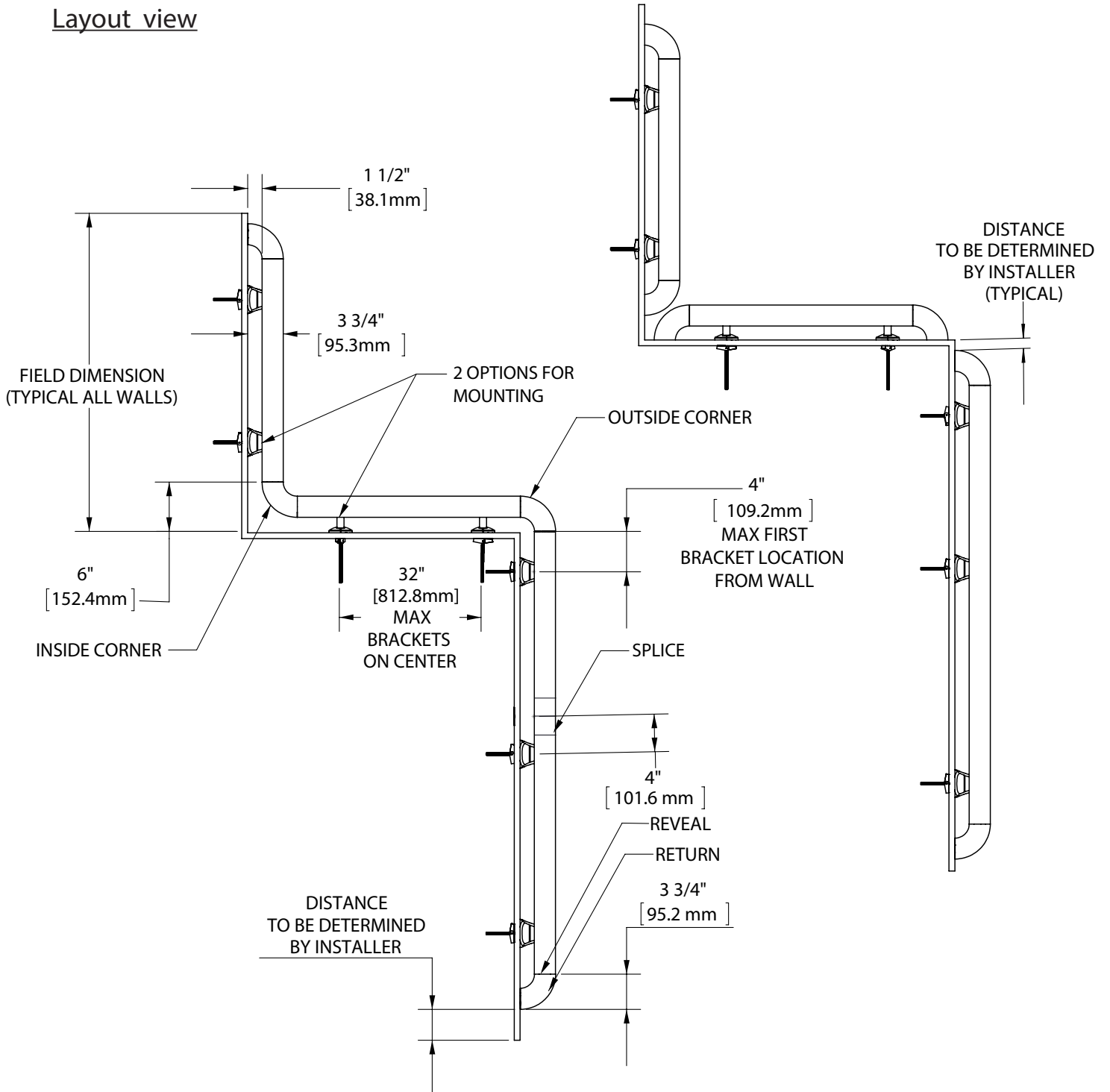
Wall Condition	Specified Fasteners
Steel Stud/Gypsum Wall	1/4-20 x 5" Phillips hex head Bolt with toggle wing and lock washer
Concrete/Concrete Block	1/4-20 x 5" Phillips hex head bolt with lead anchor and lock washer
Wood Stud/Gypsum Wall	1/4" x 5" Hex Head Wood Screw and lock washer
16 gauge steel Backer/Gypsum wall	#14 X 4" Indented hex washer, zink-plated TEK SCREW
Steel Stud or Metal Backer/Drywall (OSHDP)	1/4-20 x 5" Phillips hex head Bolt with lock washer and 1/4" Hilti Toggler
Concrete/Concrete Block (OSHDP)	1/4" x 4" Torx Hex Washer Head Screw (Hilti Kwik-Con II) and lock washer
Wood Stud or Wood Backer/Gypsum Wall (OSHDP)	1/4" x 5" Hex Head Wood Screw and lock washer
Wood Stud/Gypsum Wall	1/4" x 3" Hex head wood screw and lock washer
Steel Stud/Gypsum Wall	1/4-20 x 3" Phillips hex head Bolt with toggle wing and lock washer
Concrete/Concrete Block	1/4-20 x 3" Phillips hex head bolt with lead anchor and lock washer

Installation Instructions

AL-84885 Handrail

Please read all instructions before installing handrail.

Layout view

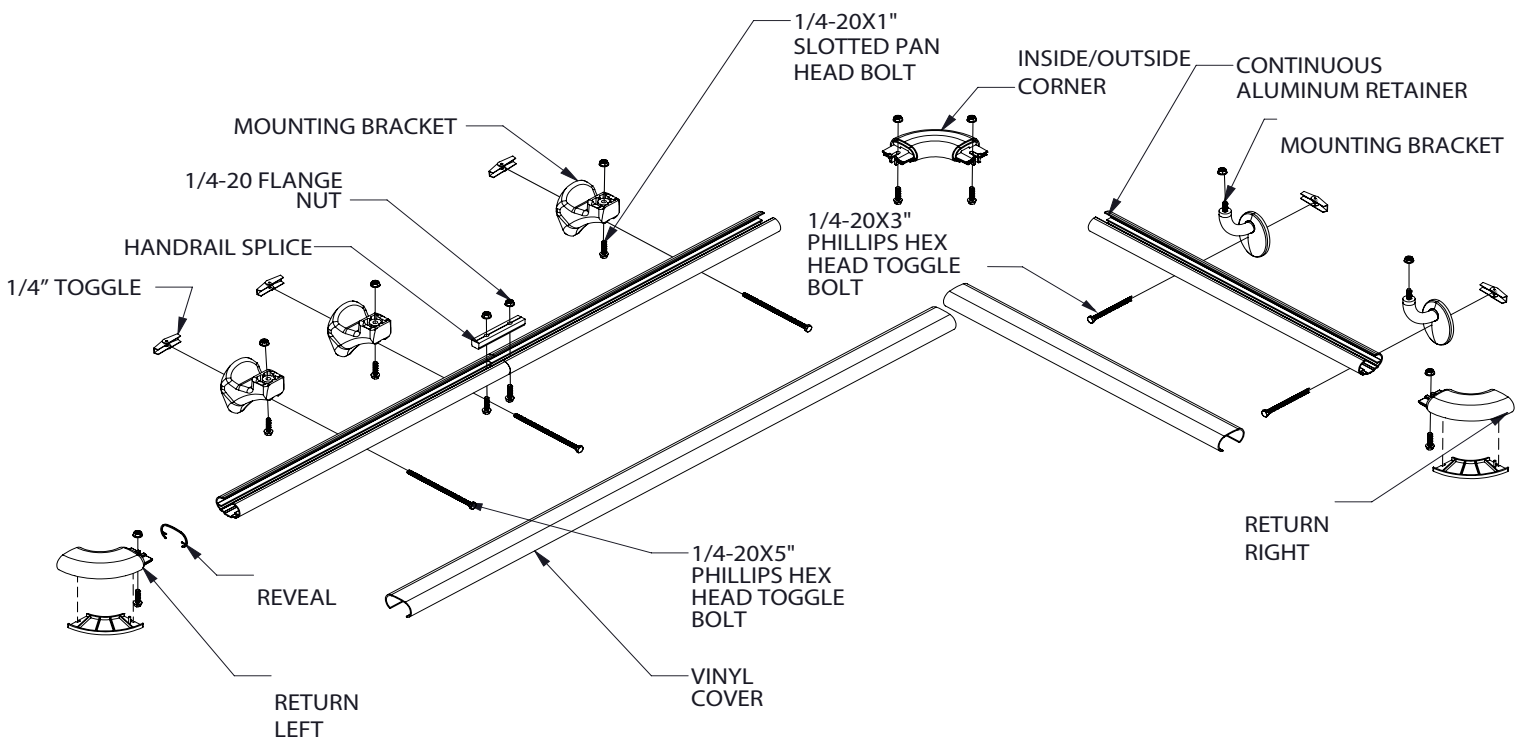


Installation Instructions

AL-84885 Handrail

Please read all instructions before installing handrail.

Exploded view assembly

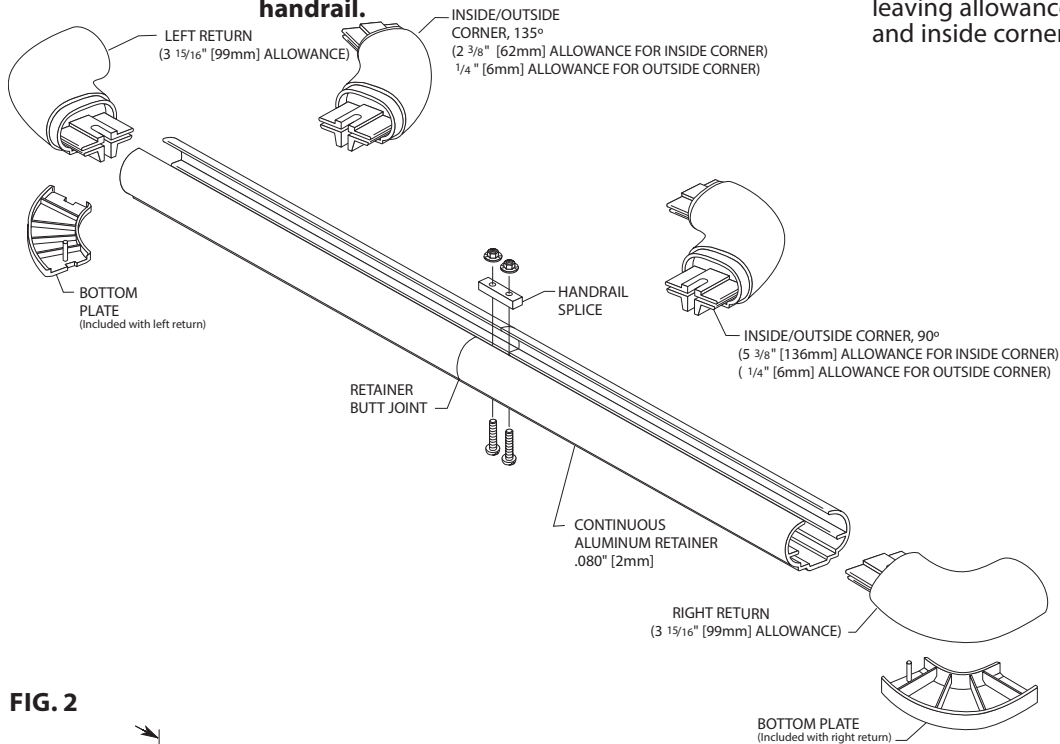


Installation Instructions

AL-84885 Handrail

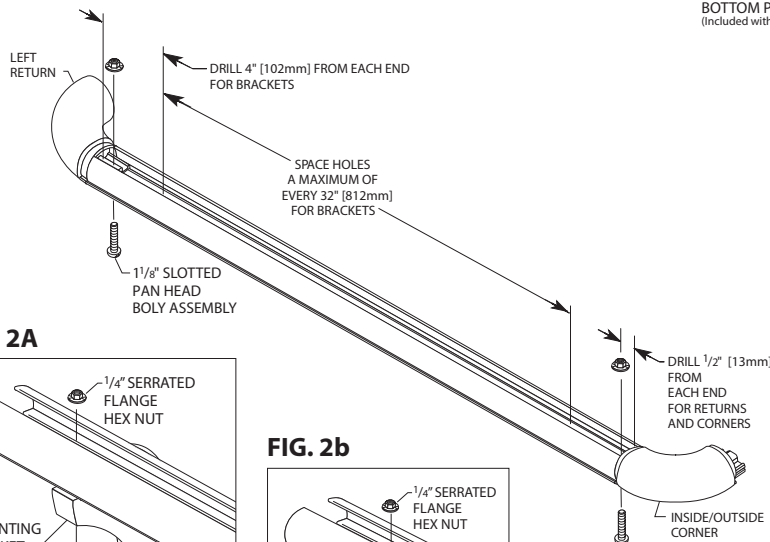
FIG. 1

Please read all instructions before installing handrail.



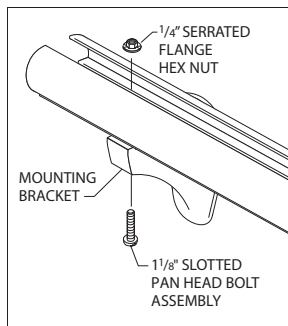
1. Cut aluminum retainer to desired length, leaving allowance for returns, outside corners and inside corners. See Figure 1.

FIG. 2



2. Drill holes in centerline of aluminum retainer for brackets, returns and corners using 1/4" (6mm) drill bit. Attach returns, inside corners and outside corners to retainer leaving a 1/16" (1.5mm) gap between returns/corners and retainer to allow for adjustment. See Figure 2.

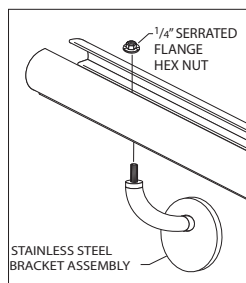
FIG. 2A



a. Plastic Brackets - Attach brackets to retainer. See Figure 2a.

b. Stainless Steel Brackets - Slip stainless steel cover over post. Insert post through retainer hole and attach. See Figure 2b.

FIG. 2b



Installation Instructions

AL-84885 Handrail

Please read all instructions before installing handrail.

FIG. 3

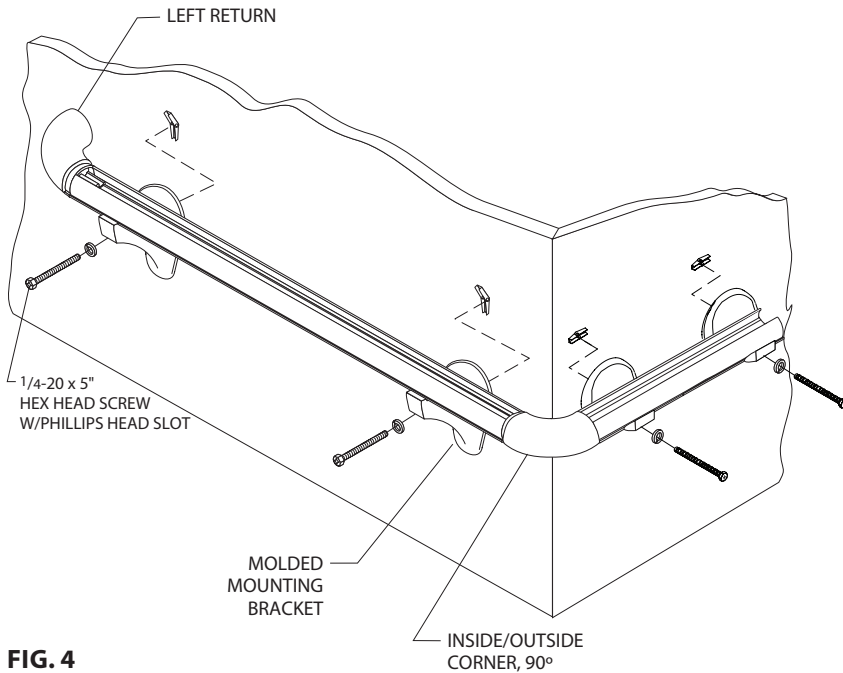


FIG. 4

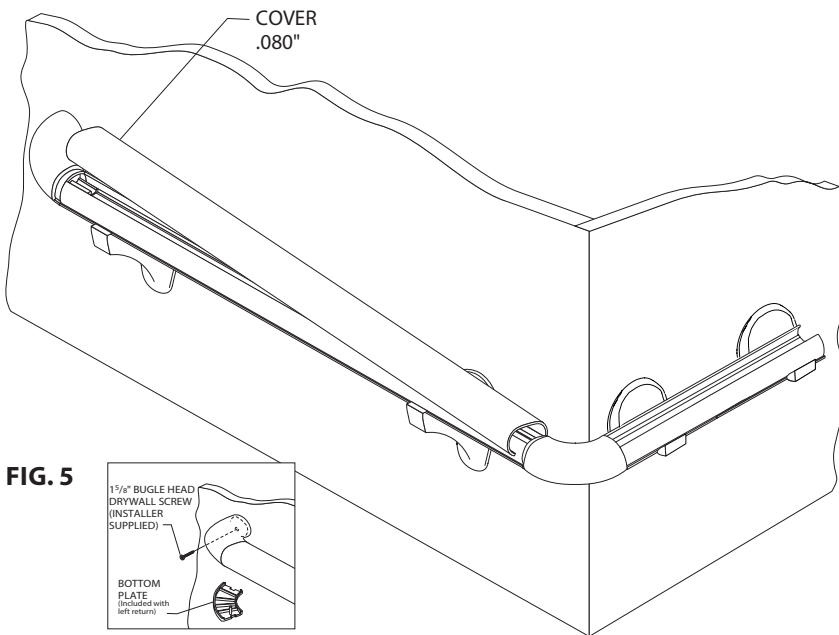
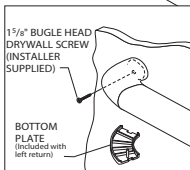


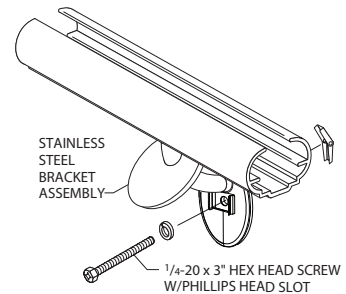
FIG. 5



3. Position retainer against wall at desired height. Level and mark bracket holes on wall. Drill marked holes with 3/4" (19mm) drill bit for toggle bolts (drywall installation) or 1/2" (13mm) drill bit for lead anchor (concrete wall installation). Loosely attach mounting bolts to the brackets. Mount on wall, level retainer and tighten screws to secure. See Figure 3.

NOTE: For stainless steel bracket, snap cover over mounting base when retainer is secure. See Figure 3a.

FIG. 3a



4. Cut cover to length between returns and/or corners. (Note: Trim factory edges square before installation). Position cover on retainer and adjust returns and/or corners for a tight fit. Starting at one end and work to the other end by pushing the cover onto the retainer until it is securely in place. See Figure 4.

NOTE: Returns should be secured to the wall. Remove bottom plate and fasten installer supplied screws through hole located in the return. Reattach bottom plate. See Figure 5.

info@alcosales.com

800.323.4282

www.alcosales.com

