

Installation Notes:

Insert 3 volt lithium battery noting correct polarity orientation. Log on to the Sentry computer using an administrator username. Choose "Transmitters" option then select "New" then "Enroll". On the backside of the AL-84678 press the reset switch (SW2) for one second. Serial number and type will be automatically filled in. Edit Announcement if required and press "Save". Press "Room" and select location from list and press "Apply" and then "Save". Press "Resident" and select name and "Apply" and "Save". Refer to Sentry Freedom manual for full programming instructions.

Optional Devices:

Using the supplied connector provides hook-up for additional wired remote call stations to input one and a secondary input device (input 2) using a normally open contact closure.

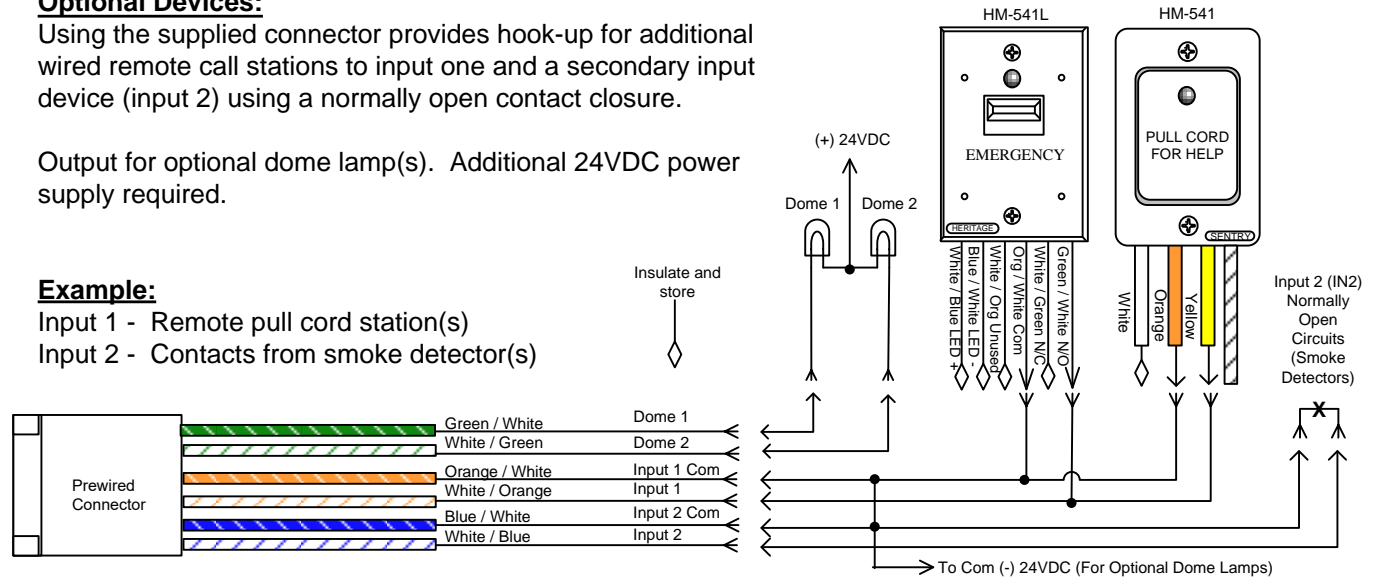
Output for optional dome lamp(s). Additional 24VDC power supply required.

Example:

Input 1 - Remote pull cord station(s)
 Input 2 - Contacts from smoke detector(s)

LED Operation:

Active: 3 groups of 7 flashes each
 Off: 1 group of 9 flashes each
 Reset: 1 group of 10 flashes each
 Check-in: 1 group of 3 flashes each
Note: Press reset button after changing battery.



Specifications:

Current Draw: 50 mA during transmit
 Power: 3 Volt Lithium Battery Supplied
 Interconnect cable: 2 pair 24 AWG CAT3
 AL-84678-03 3 minute check-in
 AL-84678-60 60 minute check-in



6851 High Grove Blvd
 Burr Ridge, IL 60527

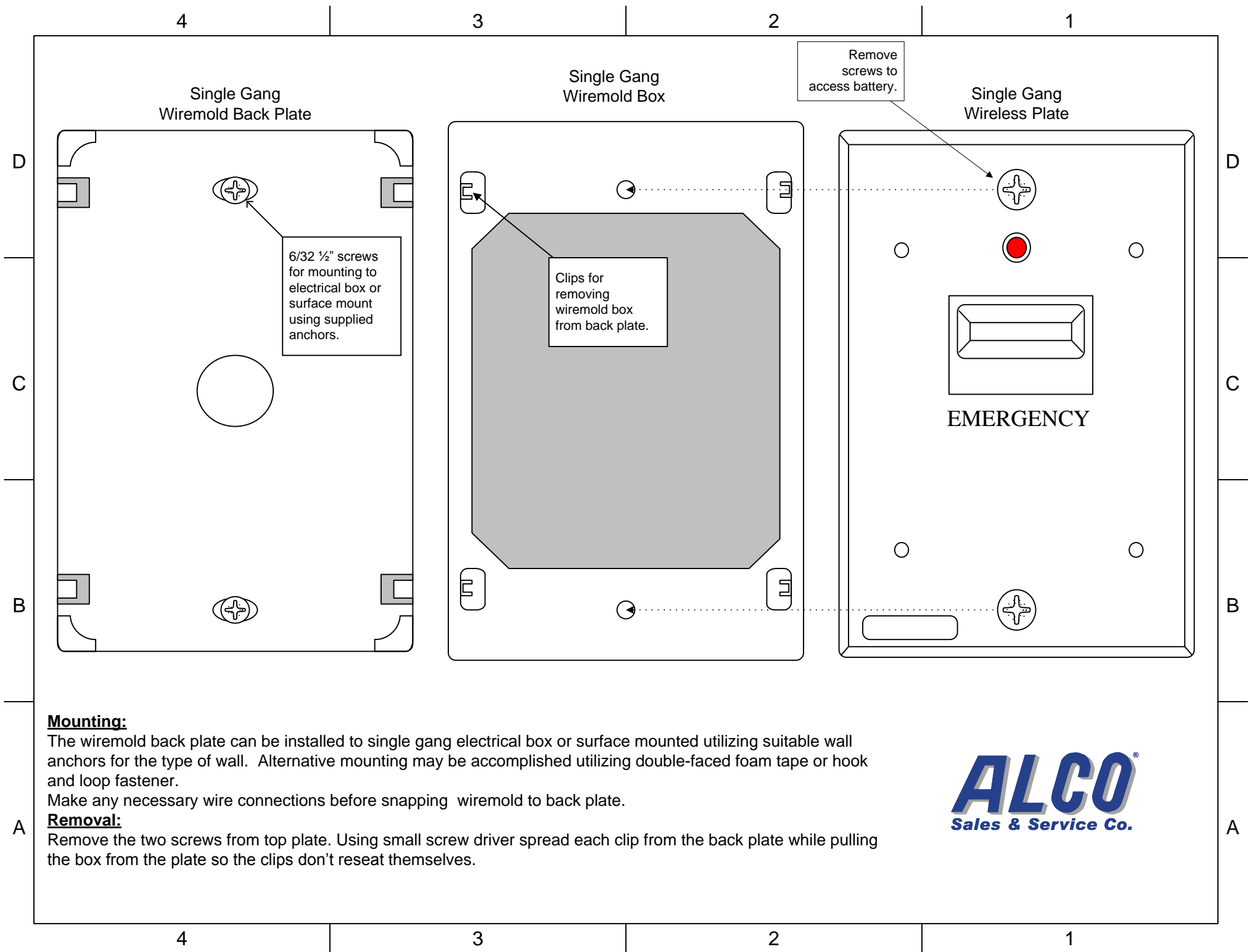
P: 800-323-4282
 F: 800-950-1167

www.alcosales.com

Wireless Emergency Call Systems

Wireless Pull Cord Station

SIZE	Drawn by: JRP	File Name:	REV F
SCALE	NA	Date: 09-11-09	SHEET 1 OF 2



Mounting:

The wiremold back plate can be installed to single gang electrical box or surface mounted utilizing suitable wall anchors for the type of wall. Alternative mounting may be accomplished utilizing double-faced foam tape or hook and loop fastener.

Make any necessary wire connections before snapping wiremold to back plate.

Removal:

Remove the two screws from top plate. Using small screw driver spread each clip from the back plate while pulling the box from the plate so the clips don't reset themselves.

