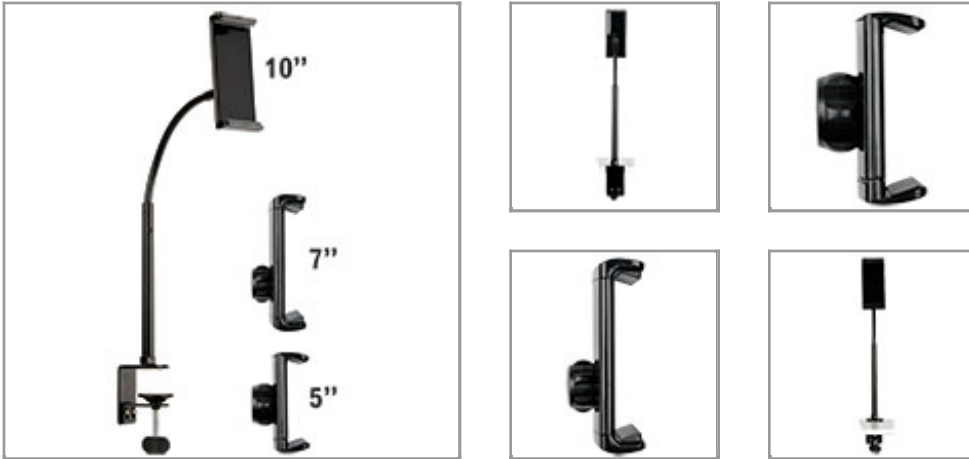


## Full Motion Universal Tablet and Phone Desk Clamp

AL-83993



### Highlights

- Durable clamp attaches to most flat surfaces
- 3 separate holders fit most devices from 3.5 to 10 in.
- Rotates 360° for portrait or landscape orientation
- 5-year warranty
- Supports up to 2.2 lb.

### Package Includes

- Full Motion Universal Tablet and Phone Desk Clamp
- Owner's manual

### Description

The AL-83993 Full Motion Universal Tablet and Phone Desk Clamp attaches to your desk, table or workstation, allowing you to mount your tablet or smart phone above it and free up valuable workspace. Durable clamp attaches to most flat surfaces up to 1.7 inches thick for a firm grip. Flexible tube bends easily to adjust your device's angle and height to fit your environment and comfort level. Includes three separate holders that fit most smart phones and tablets from 3.5 to 10 inches. Rotates 360°, so you can view your device in portrait or landscape orientation. Easy installation in seconds with no tools necessary. Supports devices up to 2.2 pounds.

### Features

#### Attaches to Most Desks, Tables and Workstations

- Clamps securely to most flat surfaces up to 1.7 in.
- Fits most smartphones and tablets from 3.5 to 10 in.
- Flexible tube bends easily to adjust your device to a comfortable viewing angle
- Full 360° rotation for viewing in portrait or landscape orientation

#### Installs in Seconds

- No tools necessary
- Includes 3 separate holders to fit devices of various sizes
- Supports up to 2.2 lb.

# Specifications

PHYSICAL	
Mounting Location	Desktop
Unit Dimensions (hwd / in.)	19.69 x 7.50 x 2.82
Unit Dimensions (hwd / cm)	50.01 x 19.05 x 7.16
Unit Weight (lbs.)	1.6
Unit Weight (kg)	0.73
Color	Black
Screen Size Compatibility (in.)	3.5 - 10
Screen Size Compatibility (cm)	8.89 - 25.5
Motion	Full
Degrees of Motion	360 rotate
Maximum Weight Capacity (lbs.)	2.2
Maximum Weight Capacity (kg)	1
FEATURES & SPECIFICATIONS	
Tools Necessary	No
Cord Management	No
WARRANTY	
Product Warranty Period (Worldwide)	5-year limited warranty

**Phone: 800-323-4282**

**Fax: 800-950-1167**



Like us on Facebook at:  
[www.facebook.com/ALCOSalesServiceCo](http://www.facebook.com/ALCOSalesServiceCo)

Follow us on Twitter at:  
[www.twitter.com/ALCOSales](http://www.twitter.com/ALCOSales)

**info@alcosales.com**

**www.alcosales.com**