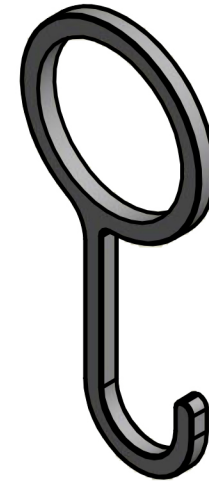
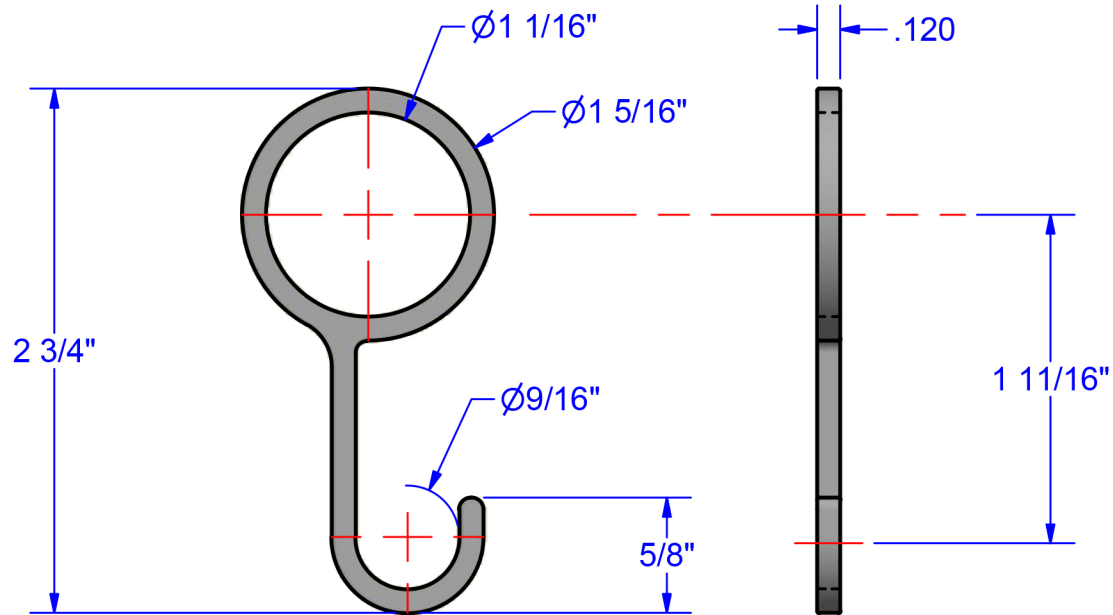


## Technical Data Sheet AL-77564

Heavy duty shower curtain hook



**Construction:**

11 Gauge (.120) type 304 stainless steel.  
One piece construction.  
Satin finish.

**Guide Specifications:**

Type 304 stainless steel.  
One piece heavy duty shower curtain hook for 1" diameter tube.  
Vandal and theft resistant.  
Cannot be removed from shower rod tube.

**Installation:**

Slide heavy duty shower curtain hook onto 1" shower rod tube before mounting shower rod tube to wall and flanges.

Note: Once shower rod is installed to wall and flanges heavy duty shower curtain hook cannot be removed. Removing heavy duty shower curtain hook requires un-mounting shower rod tube from wall and flanges.