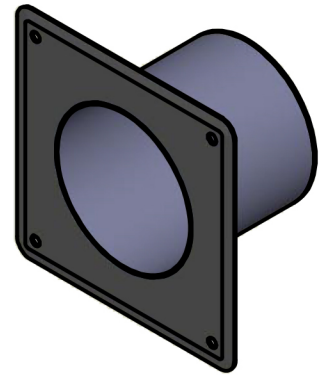
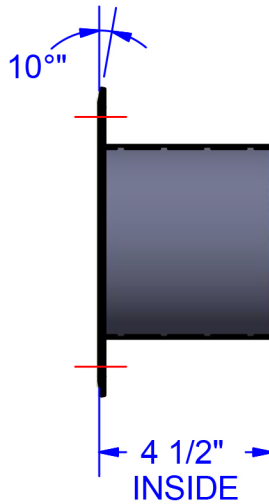
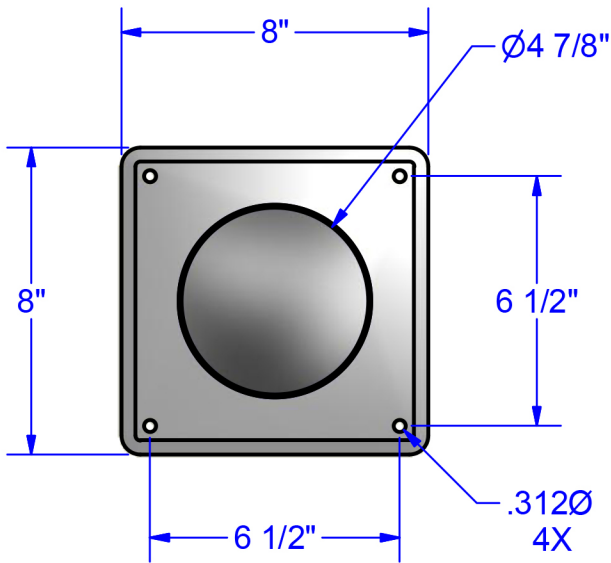


DRAWN BY:	4/12/2016
TOLERANCES:	
FRACTION : ± 1/8"	X.XX : ± 0.015
∠ : ± 3°	X.XXX : ± 0.010



CONSULT LOCAL AND NATIONAL ACCESSIBILITY CODES FOR PROPER INSTALLATION GUIDELINES.

CONFORMITY AND COMPLIANCE TO LOCAL AND NATIONAL CODES IS THE RESPONSIBILITY OF THE INSTALLER.

SPECIFICALLY ENGINEERED TAMPER RESISTANT SECURITY SEALANT MUST BE USED ON ALL FLANGE/ WALL JOINTS.

TOILET PAPER HOLDERS ARE ONLY AS STRONG AS THE ANCHORING DEVICES AND THE WALL ON WHICH IT IS MOUNTED TO.

CONSTRUCTION:

- 8" X 8" SQUARE 14 GAUGE BEZEL.
- 4 7/8" I.D. X 4 1/2" INSIDE DEPTH 16 GAUGE TUBE CYLINDER.
- EXPOSED MOUNTING.
- FULLY WELDED ONE PIECE CONSTRUCTION.
- SATIN #4 FINISH ON BEZEL.
- TYPE 304 STAINLESS STEEL.

INSTALLATION:

- ROUGH WALL OPENING IS 5 1/4"∅ X 4 1/2" MINIMUM DEPTH.
- USE BEZEL AS TEMPLATE TO MARK AND LOCATE HOLES.
- FASTEN TO WALL USING APPROPRIATE BOLTS AND ANCHORS.

GUIDE SPECIFICATION:

- RECESSED TOILET PAPER HOLDER WITH A 8" X 8" FRONT BEZEL.
- HOLDS ONE STANDARD TOILET PAPER ROLL.
- SATIN# 4 FINISH.
- TYPE 304 STAINLESS STEEL.