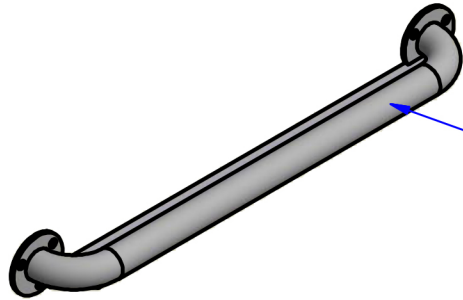
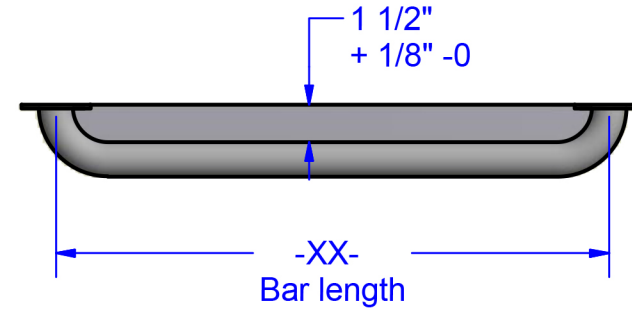


Technical Data Sheet AL-77550

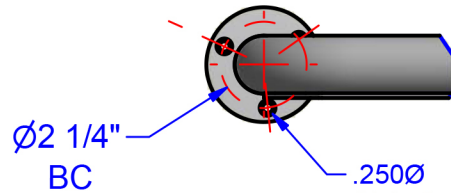
Exposed mount security grab bar



Optional peen and knurl safety grips applied to straight section of grab bar.

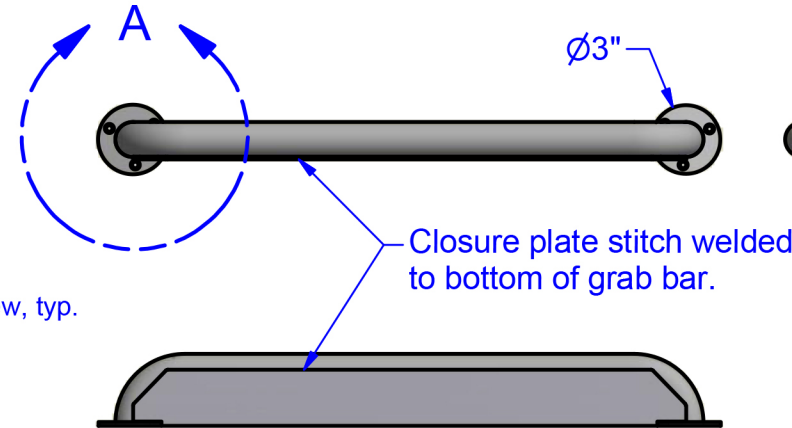


Detail A
Flange

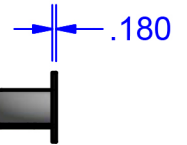


Ø2 1/4"
BC

.250Ø
Ctsk. for #10
oval head screw, typ.



Ø3"
Closure plate stitch welded
to bottom of grab bar.



PART#	-XX- LENGTH
AL-77550-12	12"
AL-77550-16	16"
AL-77550-18	18"
AL-77550-24	24"
AL-77550-30	30"
AL-77550-32	32"
AL-77550-42	42"
AL-77550-36	36"
AL-77550-48	48"

CONSULT LOCAL AND NATIONAL ACCESSIBILITY CODES FOR PROPER INSTALLATION GUIDELINES. CONFORMITY AND COMPLIANCE TO LOCAL AND NATIONAL CODES IS THE RESPONSIBILITY OF THE INSTALLER. SPECIFICALLY ENGINEERED TAMPER RESISTANT SECURITY SEALANT MUST BE USED ON ALL WALL JOINTS. GRAB BAR/ RAILING ARE ONLY AS STRONG AS THE ANCHORING DEVICES AND THE WALL ON WHICH IT IS MOUNTED TO.

Construction:

tubing: 1 1/2"Ø x 18 gauge stainless steel. Mandrel bent ends pass through flanges and are welded to form a single structure unit.

Flanges: 7 gauge (.180) x 3"Ø stainless steel with (3) mtg. holes for attaching to wall. Counter sunk for #10 oval head screw.

Closure plate: 11 gauge stainless steel welded to bottom of tube.

Installation:

Secure grab bar to wall where adequate in-wall backing exists. Position grab bar horizontally so that the gripping surface is 33" to 36" above finished floor. Use each grab bar as a template to locate mounting holes.

Drill holes and set anchors. Mount grab bar to wall and secure mounting screws.

Guide specification:

Security/anti-suicide grab bars are fabricated in accordance with ADA specifications and is fully enclosed, there by abating suicide risk.

Wall clearance meet and exceed 500 pounds load requirements when properly installed.

Stainless steel.

1/8"Ø water drain holes.

Satin #4 finish.