

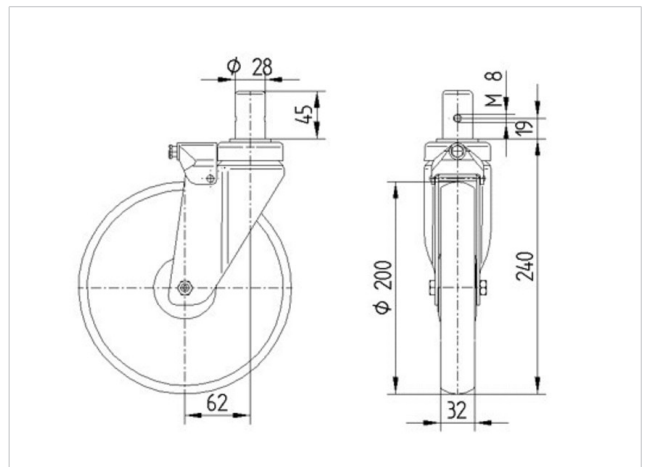
## AL-69085 Kickstop

Swivel caster with directional lock, housing made of pressed steel, bright zinc plated, blue passivated, covered precision swivel bearing, hardened balls and tracks, bearing sleeve welded to fork, wheel axle with nut, solid plug fitting.

Wheel center made of pressed steel, Tread: solid rubber, black, non staining, electric conductive, with threadguards, precision ball bearing



Technical Data	
Wheel diameter	7.87 in
Tread width	1.26 in
Bolt-Ø	1.10 in
Bolt length	1.77 in
Offset	2.44 in
Swivel Interference	12.76 in
Overall height	9.45 in
Temperature	- 4 / + 185 °F
Standard	EN 12530
Hardness of tread	Shore A 80
Load capacity (dynamic)	220 lbs
Load capacity (static)	440 lbs



Roll performance	+	+	+	+	+
Movement noise	+	+	+	+	+
Attrition	+	+	+	+	+
Corrosion resistance	+	+	+	+	+